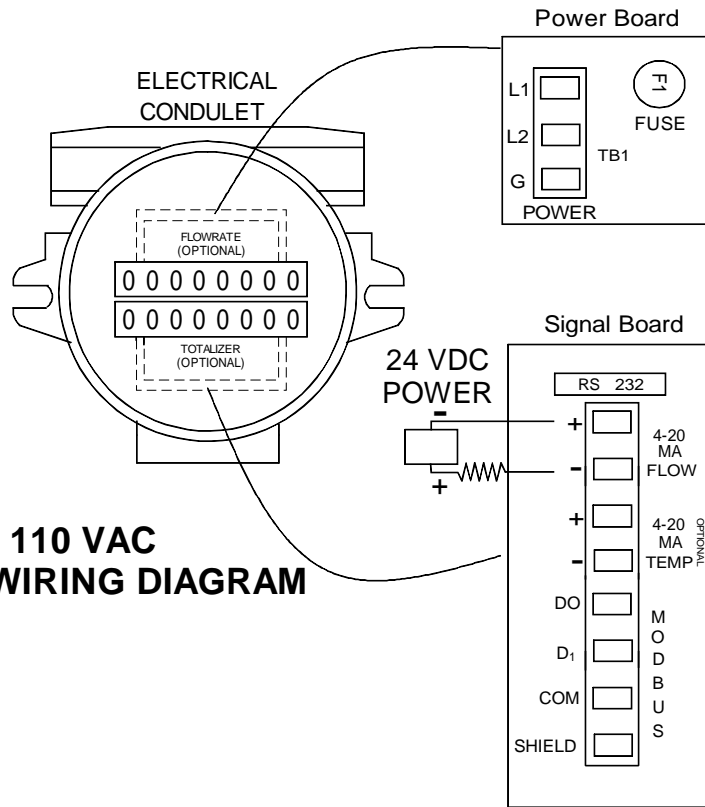
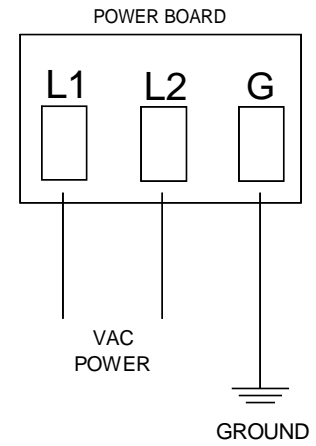


**110 VAC
WIRING DIAGRAM**



TERMINAL BOARDS



S/N:

**INTEGRAL 9500P TYPE ELECTRONICS WIRING DIAGRAM
WITH MOD BUS**

Thermal Instrument Company
217 Sterner Mill Road, Trevoose, PA
ISSUED FOR RELEASE: 8/26/14
DRAWING NO. TIC 436-2
WIRING-9500P-TERM BOARDS-MOD BUS-VAC-HART 11-11-14